

## 600LBS MAGNETIC LOCK



**DSL2701**



**DSL2702**



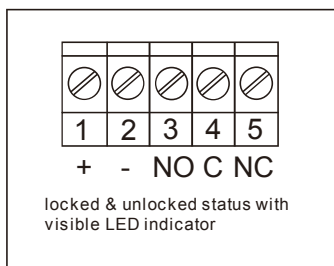
**MSL2701**

### General Feature

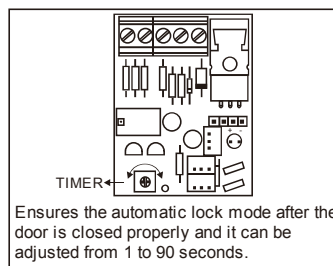
- ★ DIMENSIONS:
  - Magnet(DSL2701): 250mmLx47.2mmWx26.6mmD
  - Magnet(DSL2702): 500mmLx47.2mmWx26.6mmD
  - Armature Plate: 185mmLx38mmWx12.5mmT
  - Magnet(MSL2701): 228mmLx38mmWx27mmD
  - Armature(MSL2701): 185mmLx38mmWx12.5mmT
- ★ Dual Voltage: 12/24VDC
- ★ Current Draw: 500mA/12VDC, 250mA/24VDC
- ★ Surface Mounted: DSL2701, DSL2702
- ★ Mortise Mounted: MSL2701
- ★ Holding Force: about 600LBS
- ★ Built-in Voltage Spike Suppressor
- ★ Timer: 0-90 seconds
- ★ Option:
  - **DSL2701: Basic type**
    - DSL2701H: Lock Status Sensor
    - DSL2701HT: Timer, Lock Status Sensor
    - DSL2701HT-DS: Timer, Lock Status Sensor and Door Status Sensor
    - DSL2701H-DS: Lock Status Sensor and Door Status Sensor
  - **DSL2702: Basic type**
    - DSL2702H: Lock Status Sensor
    - DSL2702H-DS: Lock Status Sensor and Door Status Sensor
  - **MSL2701: Basic type**
    - MSL2701H: Lock Status Sensor
    - MSL2701HT: Timer, Lock Status Sensor

### DSL2701 OPTIONAL FEATURE

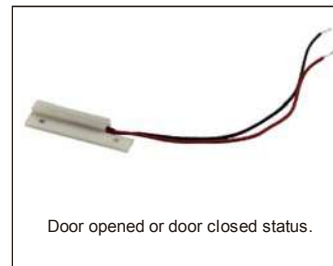
Lock Status Sensor



RELOCK TIME DELAY

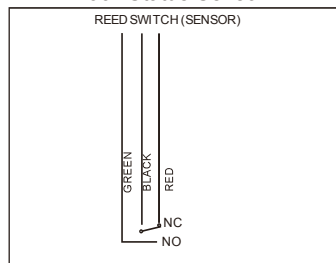


DOOR STATUS SENSOR

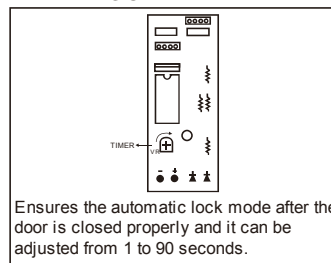


### MSL2701 OPTIONAL FEATURE

Lock Status Sensor




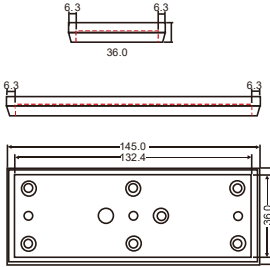

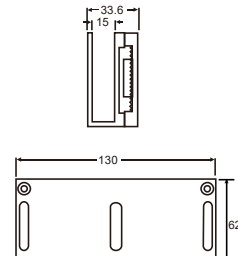

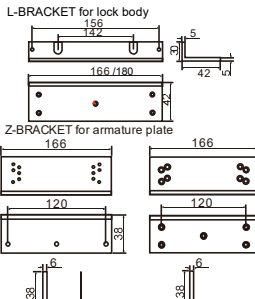

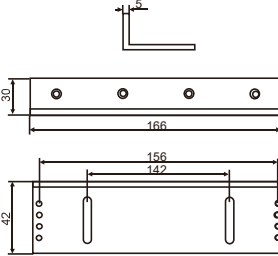
RELOCK TIME DELAY






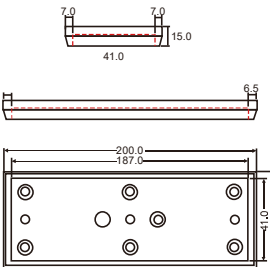

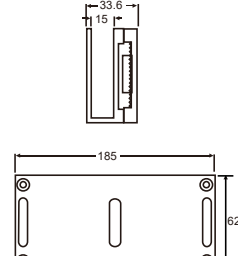

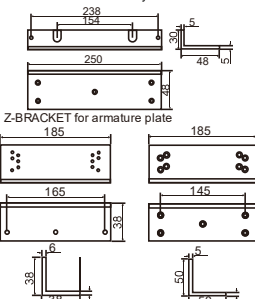

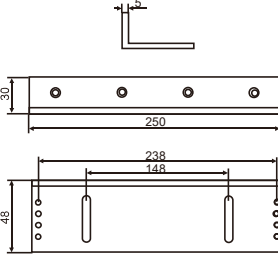
## BRACKET FOR 300LBS



<p><b>EA302</b></p>  <p><b>ARMATURE PLATE HOUSING</b></p> <ul style="list-style-type: none"> <li>★ DIMENSIONS: 145mmLx50mmWx15mmD</li> <li>★ Aluminum Painted Finish</li> <li>★ Weight: 100G</li> </ul> 	<p><b>DU211</b></p>  <p><b>U BRACKET</b></p> <ul style="list-style-type: none"> <li>★ DIMENSIONS: 130mmLx62mmWx33mmD</li> <li>★ ANODIZED Finish</li> <li>★ Suitable for Glass Door</li> <li>★ Max 12mm glass door thickness.</li> <li>★ Weight: 550G</li> </ul> 	<p><b>EA300 EA300A (180mm)</b></p>  <p><b>L &amp; Z BRACKET</b></p> <ul style="list-style-type: none"> <li>★ DIMENSIONS: L:166/180mmLx42mmWx30mmD Z:166mmLx38mmWx38mmD</li> <li>★ ANODIZED Finish</li> <li>★ Weight: 600G</li> </ul> <p>L-BRACKET for lock body</p> 	<p><b>EA304</b></p>  <p><b>L BRACKET</b></p> <ul style="list-style-type: none"> <li>★ DIMENSIONS: 166mmLx42mmWx30mmD</li> <li>★ ANODIZED FINISH</li> <li>★ Weight: 75G</li> </ul> 
---	---	---	---

## BRACKET FOR 600LBS



<p><b>EA322</b></p>  <p><b>ARMATURE PLATE HOUSING</b></p> <ul style="list-style-type: none"> <li>★ DIMENSIONS: 200mmLx55mmWx15mmD</li> <li>★ Aluminum Painted Finish</li> <li>★ Weight: 240G</li> </ul> 	<p><b>DU213</b></p>  <p><b>U BRACKET</b></p> <ul style="list-style-type: none"> <li>★ DIMENSIONS: 185mmLx62mmWx33.6mmD</li> <li>★ ANODIZED Finish</li> <li>★ Suitable for Glass Door</li> <li>★ Max 12mm glass door thickness.</li> <li>★ Weight: 650G</li> </ul> 	<p><b>EA320</b></p>  <p><b>L &amp; Z BRACKET</b></p> <ul style="list-style-type: none"> <li>★ DIMENSIONS: L:250mmLx48mmWx30mmD Z:185mmLx50mmWx50mmD</li> <li>★ ANODIZED Finish</li> <li>★ Weight: 780G</li> </ul> <p>L-BRACKET for lock body</p> 	<p><b>EA314</b></p>  <p><b>L BRACKET</b></p> <ul style="list-style-type: none"> <li>★ DIMENSIONS: 250mmLx48mmWx30mmD</li> <li>★ ANODIZED FINISH</li> <li>★ Weight: 130G</li> </ul> 
--	--	---	---